

# ROC-BASE

Granite • Quartz • Shower Bases

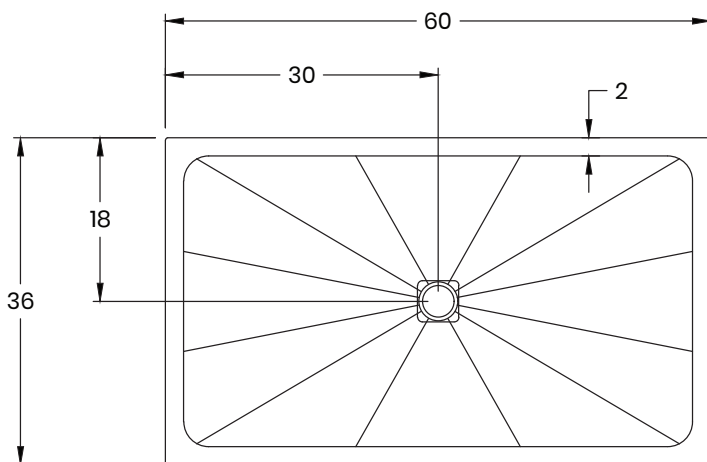
877-652-2514 | support@roc-base.com | roc-base.com



# Centro

Granite or quartz shower pan  
Central drain

40/50-6036



## Dimensions

Length :	60" (1524mm)
Width :	36" (914mm)
Thickness :	1 1/4" (30mm) (1mm to 3mm tolerance)
Weight :	225 LBS (100 KG)

## Material

**Base :** Quartz or granite core

**Drain cover :** Stainless steel (with optional black finish)

**Texture :** Non-slip

## Colors

### Stock :



40-6036-07  
Cambrian black



50-6036-HCL119  
Tofino



50-6036-HRU609  
Uptown Grey



50-6036-HBA252  
Whistler

\* Other colors may be available upon request

## Included

- Stainless steel drain (black finish optional)
- Tile flange
- Installation instructions

## Features

- CSA B45.8/IAPMO Z403
- Non-slip surface
- Made from durable granite or quartz
- Easy maintenance and cleaning
- Customizable