



Granite • Quartz • Shower Bases

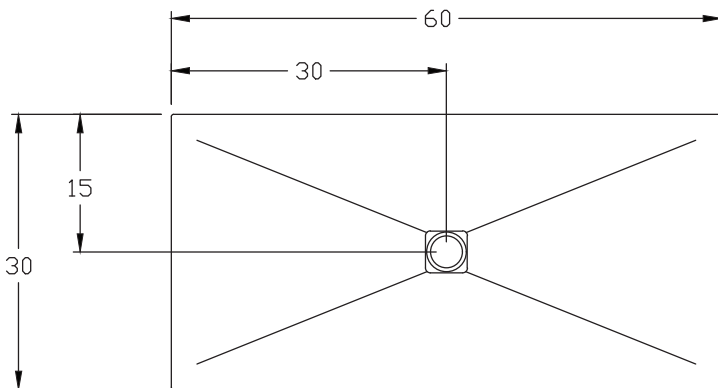
877-652-2514 | support@roc-base.com | roc-base.com



Zero

Granite or quartz shower pan
Central drain

43/53-6030



Dimensions

- Length : 60" (1524mm)
- Width : 30" (762mm)
- Thickness : 1 1/4" (30mm) (1mm to 3mm tolerance)
- Weight : 190 LBS (85 KG)

Material

Base : Quartz or granite core

Drain cover : Stainless steel (with optional black finish)

Texture : Non-slip

Colors

Stock :



43-6030-07
Cambrian black



53-6030-HCL119
Tofino



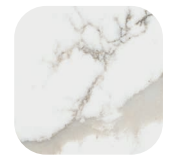
53-6030-HRU609
Uptown Grey



53-6030-HBA252
Whistler



53-6030-HBA271
Drift



53-6030-HGB884
Calacatta Extra

* Other colors may be available upon request

Included

- Stainless steel drain grid** (black finish optional)
- Tile flange
- Installation instructions

**Drain not included.

Features

- CSA B45.8/IAPMO Z403
- Non-slip surface
- Made from durable granite or quartz
- Easy maintenance and cleaning
- Customizable